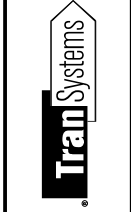


Legend

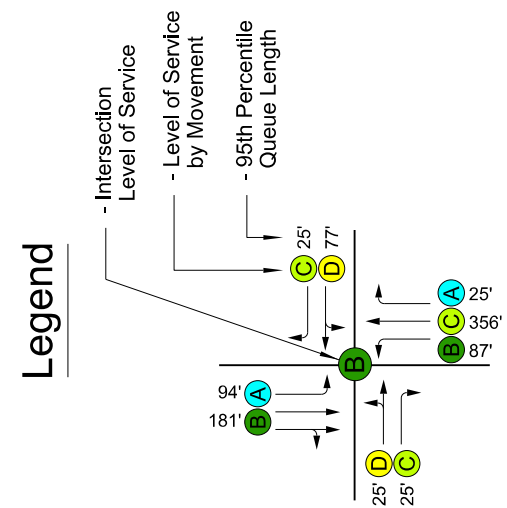
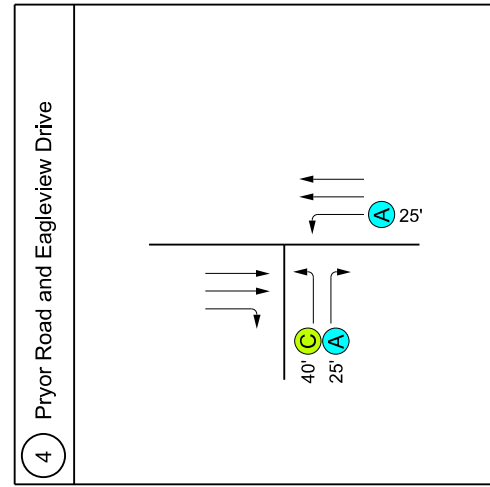
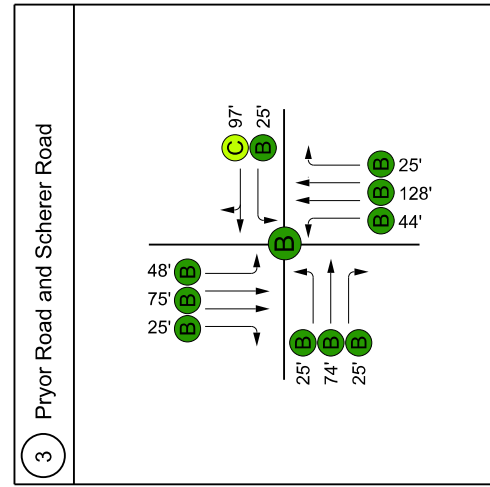
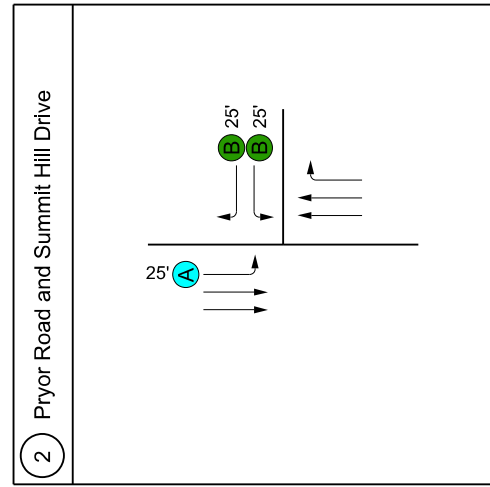
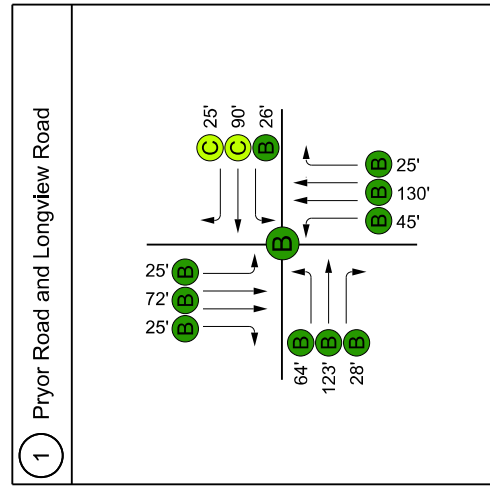
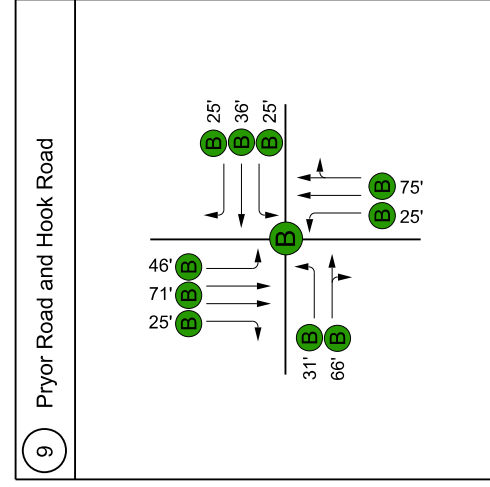
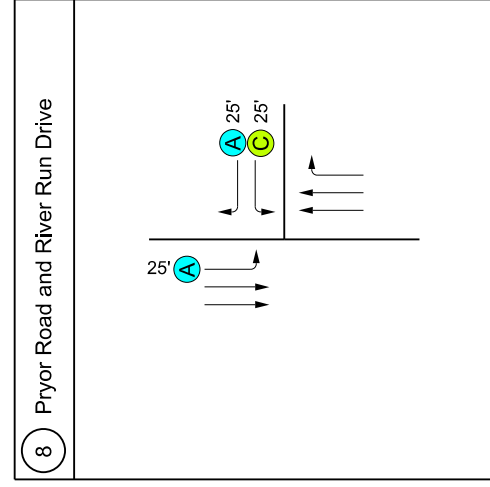
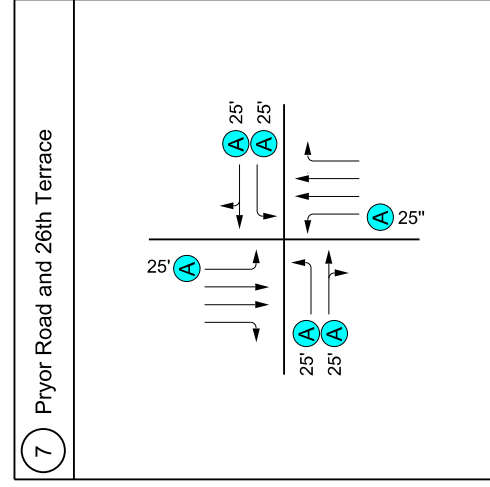
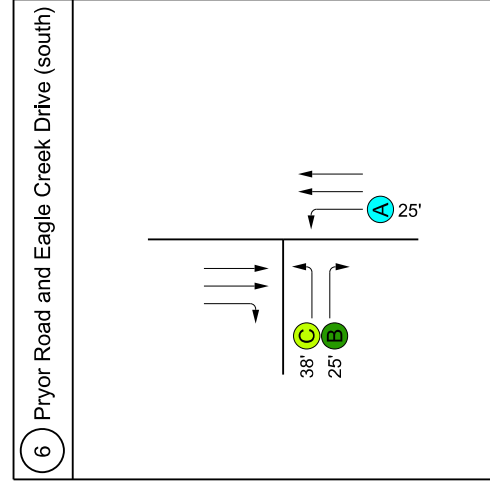
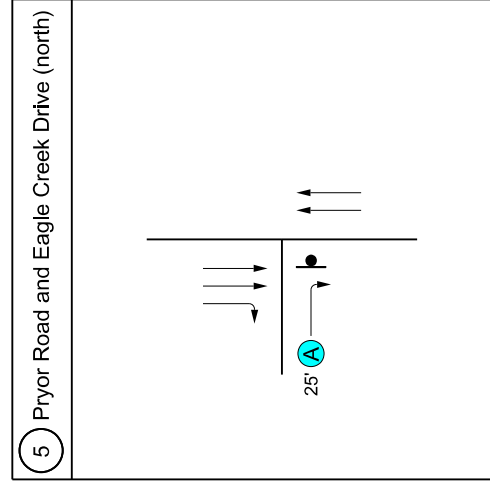
- Lane Configuration
- Traffic Signal
- Stop Sign

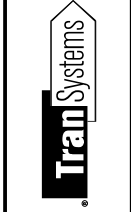
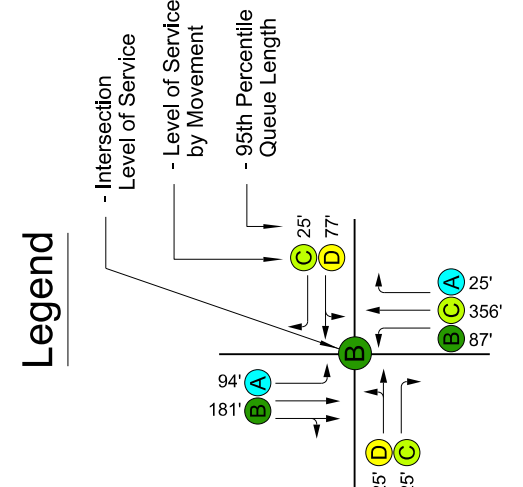
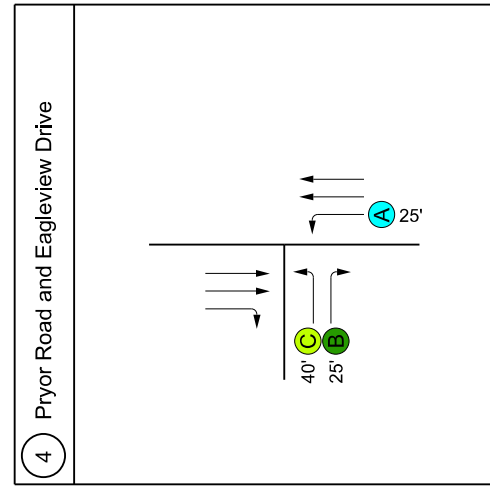
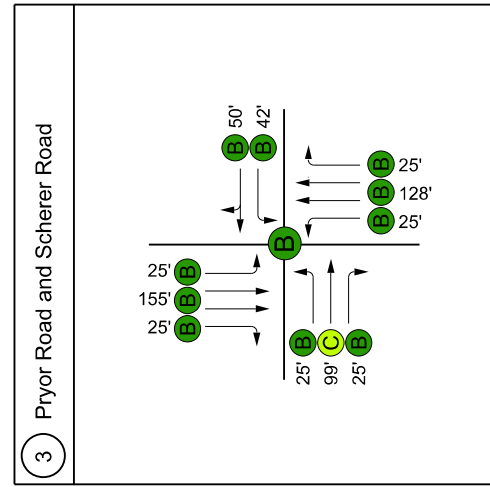
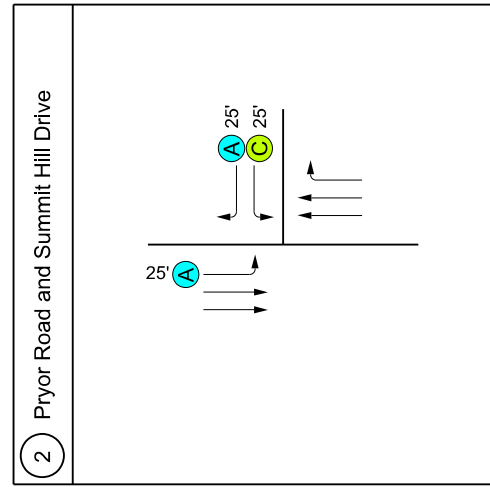
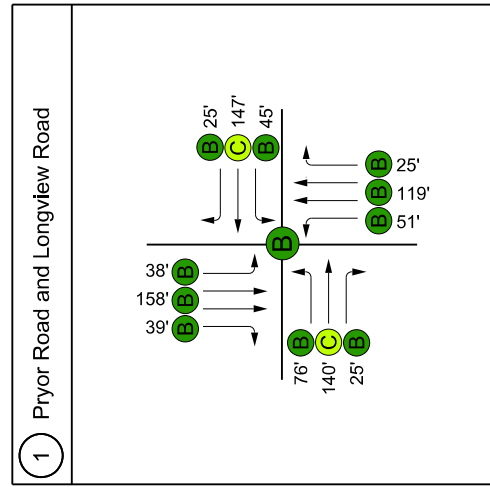
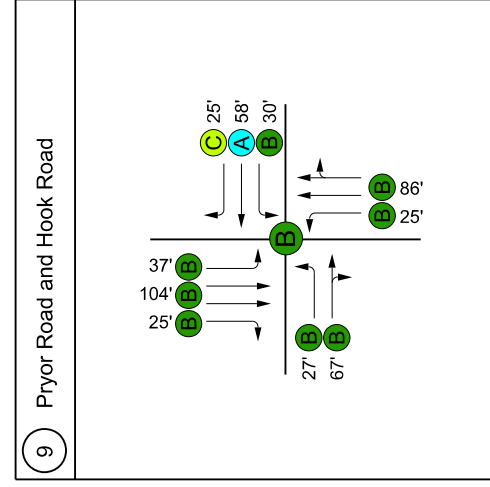
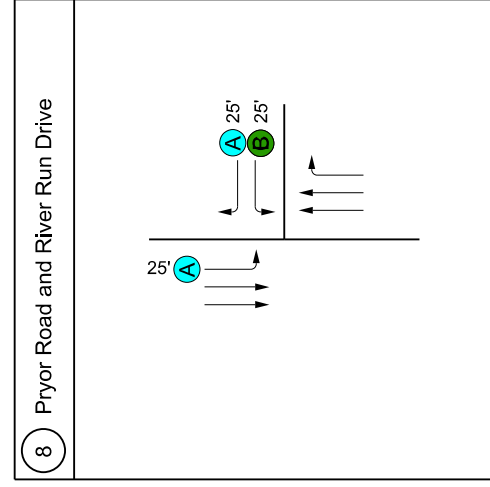
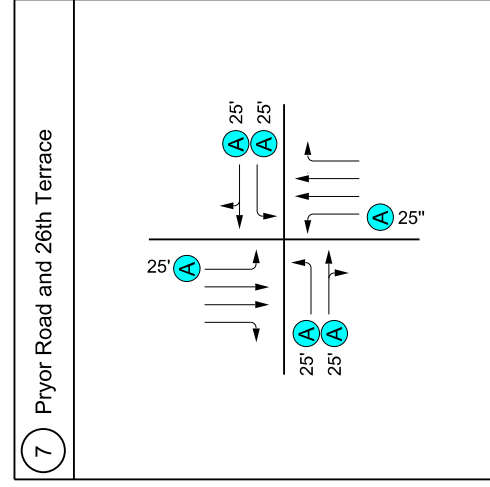
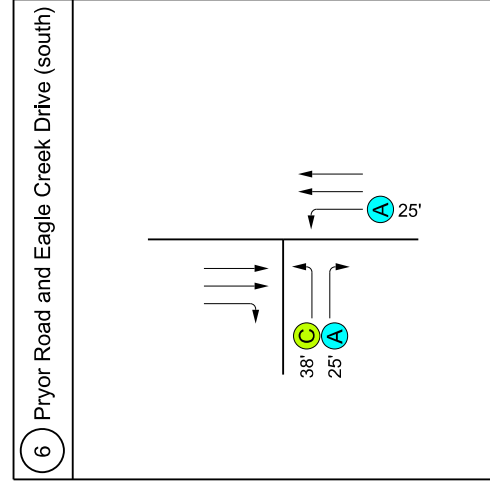
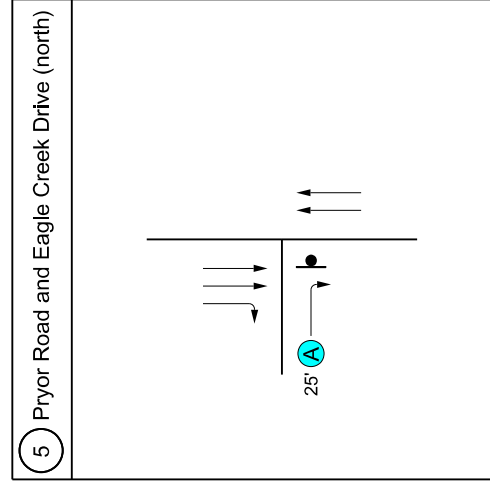


PROPOSED (YEAR 2020) LANE CONFIGURATIONS AND TRAFFIC CONTROLS

Pryor Road
Longview to Hook Road
Lee's Summit, Missouri

August 2020
No Scale



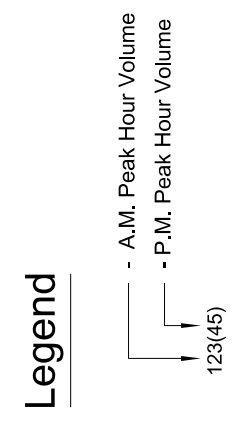
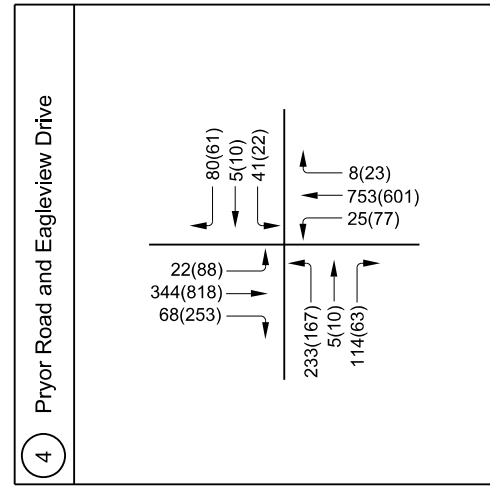
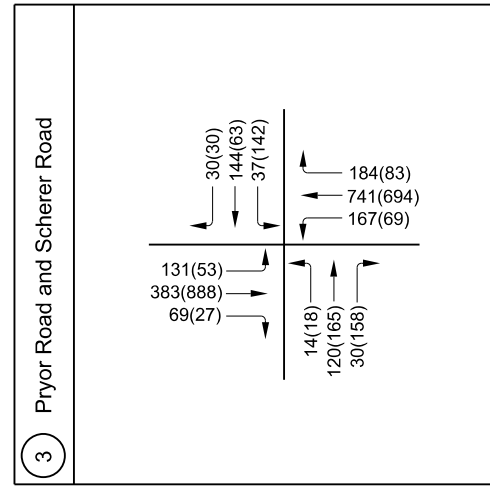
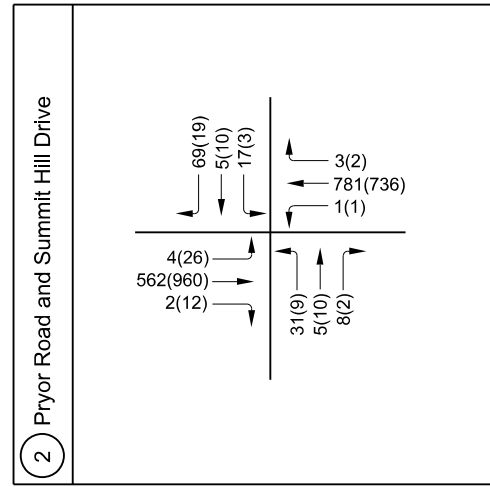
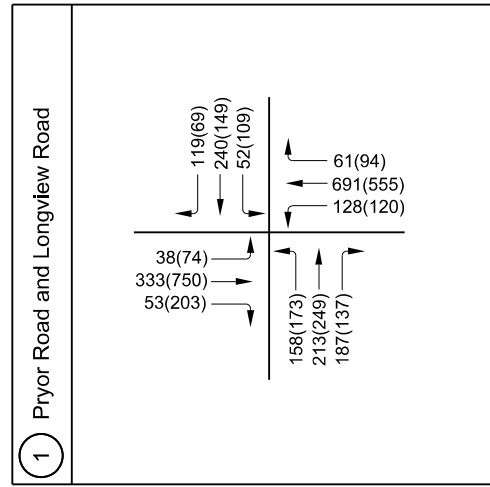
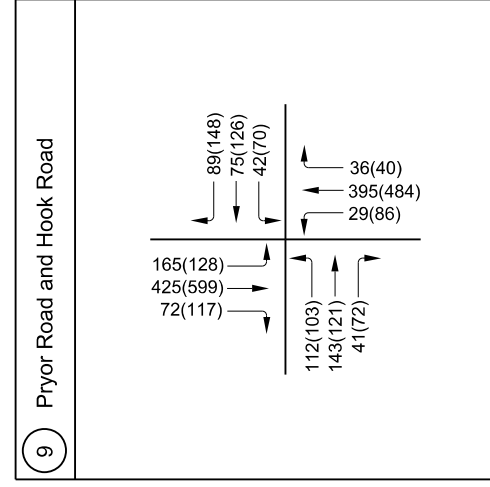
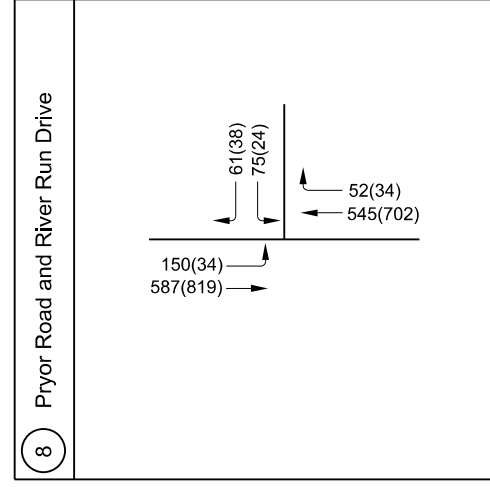
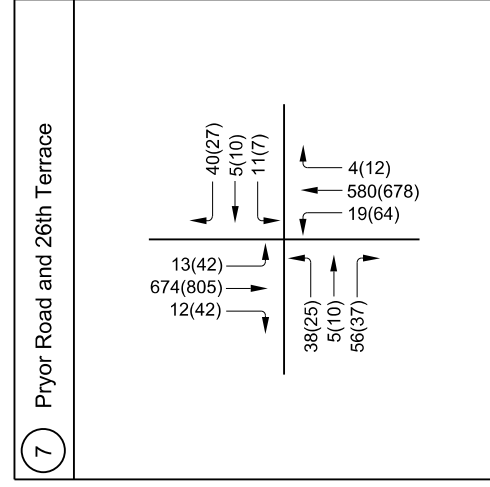
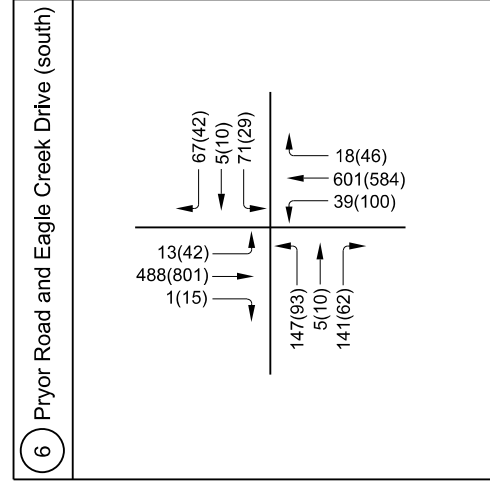
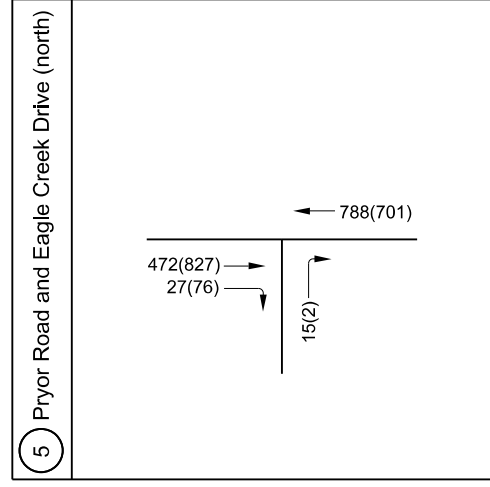


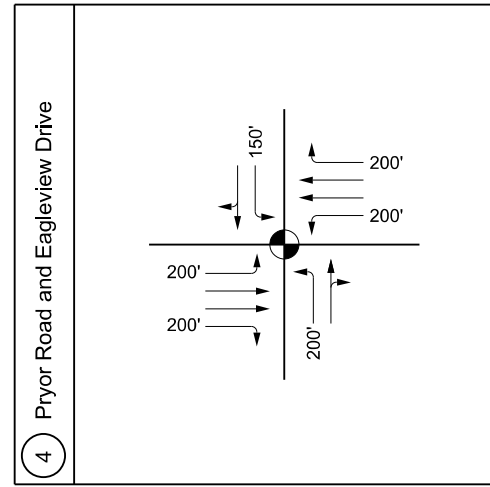
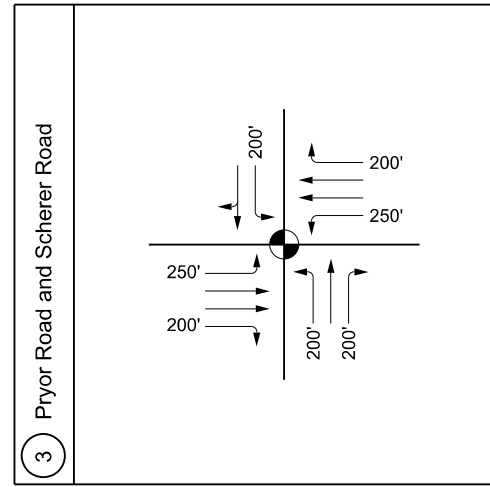
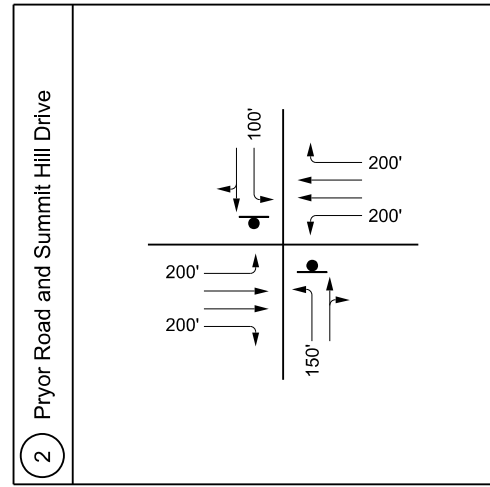
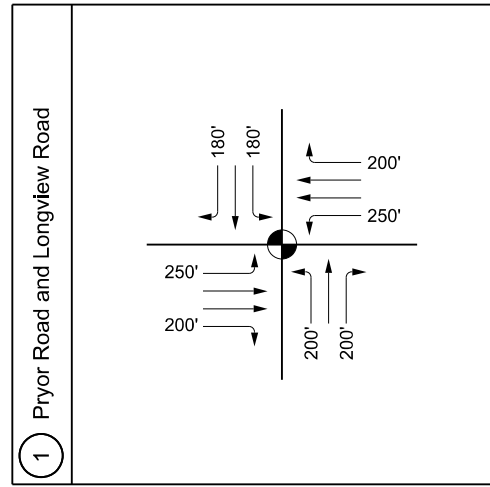
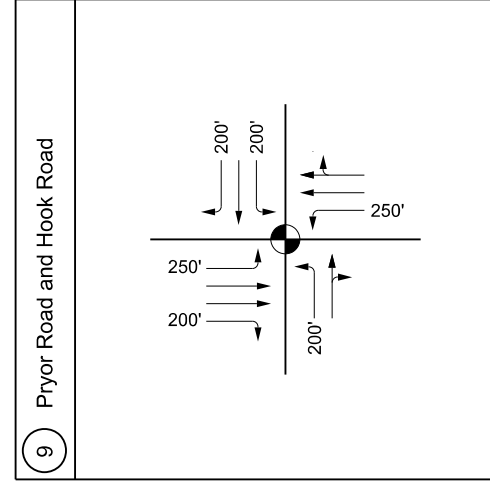
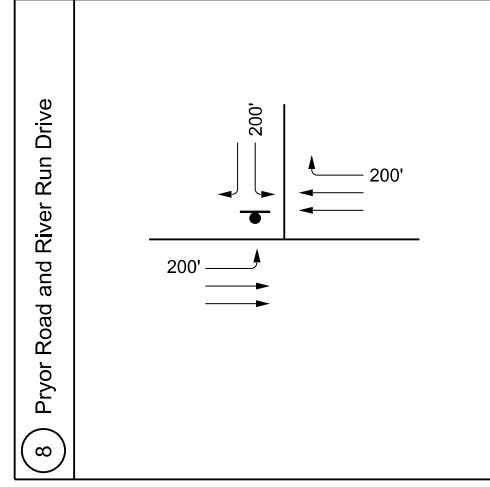
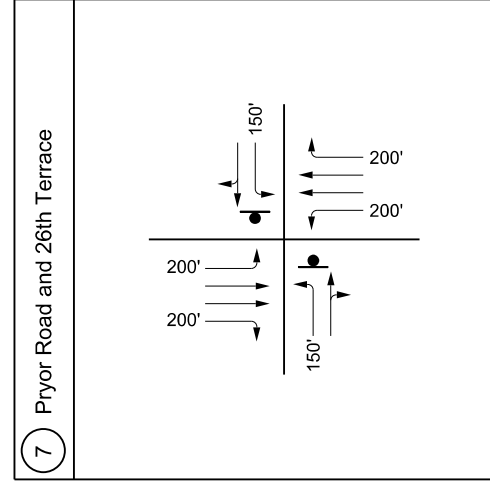
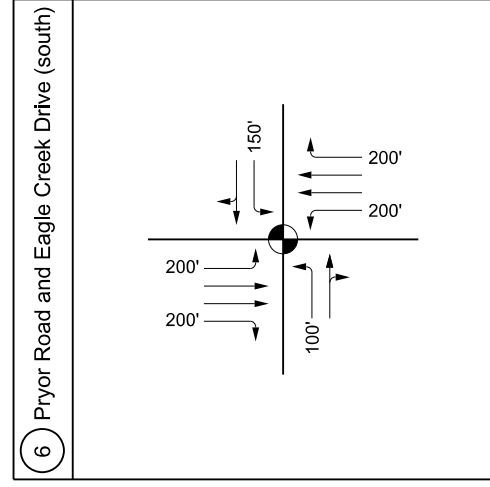
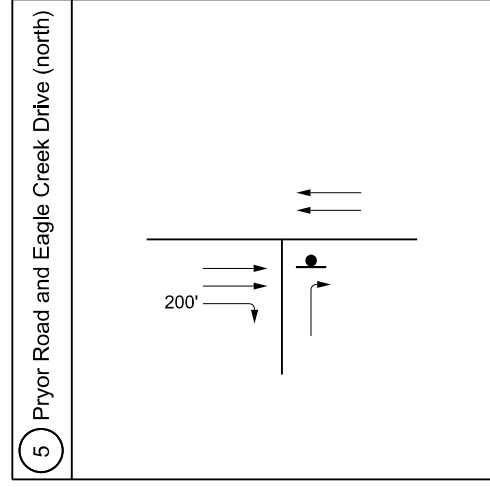
PROPOSED (YEAR 2020) P.M. PEAK HOUR
LEVELS OF SERVICE AND QUEUE LENGTHS

Pryor Road
Longview to Hook Road
Lee's Summit, Missouri

August 2020
No Scale

Figure A-4





Legend

- Lane Configuration
- Traffic Signal
- Stop Sign



FUTURE (YEAR 2040) LANE CONFIGURATIONS AND TRAFFIC CONTROLS

Pryor Road
Longview to Hook Road
Lee's Summit, Missouri

August 2020

No Scale

Figure A-6

